

JVC

PROFESSIONAL

DIGITAL PRESENTER AV-P950

High-resolution XGA images,
USB and RS-232C interfaces, auto
focus, 3-picture memory,
5-position arm, 20x zoom, preview
mode

projection. You can also use your PC or a remote control unit to operate the AV-P950, enabling you to make your presentations smoother and more effective.

The AV-P950 also comes with a variety of user-friendly functions that can dramatically enhance the quality and appeal of your presentations. These include a 20x zoom, auto focus, zoom presets, preview mode, 3-picture memory, 5-position arm, lens mode, camera head rotation control, and flip-type close-up lens. There's also a built-in RS-232C interface for computerized control and an optional remote holder.



Versatile presenter with convenient USB interface for PC image transfer and control

Versatile, powerful, and easy-to-use, the AV-P950 provides you with all the tools you need to deliver a powerful, compelling presentation that incorporates everything from three-dimensional objects and OHP sheets to slide films and live images of people or objects at the scene. All images are displayed on-screen as high-resolution XGA pictures with crisp definition and vivid details. Any image shown on the presenter can be downloaded to a PC via the USB connector for processing and future projection. You can also use your PC or a remote control unit to operate the AV-P950, enabling you to make your presentations smoother and more effective.

The AV-P950 also comes with a variety of user-friendly functions that can dramatically enhance the quality and appeal of your presentations. These include a 20x zoom, auto focus, zoom presets, preview mode, 3-picture memory, 5-position arm, text mode, camera head rotation control, and flip-type close-up lens. There's also a built-in RS-232C interface for computerized control and an optional book holder.

Camera head rotation (110 degrees to the rear)

A handy camera panning function lets you capture live shots of surrounding objects, such as large presentation materials, the audience, or even the entire interior of a conference hall.

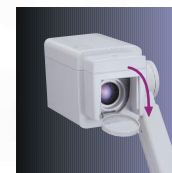


5-position arm with panning camera



The combination of a 5-position arm with a panning camera head makes it possible to capture a three-dimensional object from just about any angle you choose. Direct front shooting capability as well as a vertical flip function give your presentations even more versatility.

Flip-type close-up lens



Switching between normal shots and close-ups is quick and easy with this unique lens. Setting it up is very simple. And you'll never misplace a lens, because it's never necessary to change it.

Slide film holder

10-point characters visible

Documents and reports are shown with XGA quality. Characters down to 10 points (when fonts such as Arial Bold are used) can be clearly shown without black blur or flickering. A high-contrast character mode (text mode) is available for even greater legibility.

16 pt
14 pt

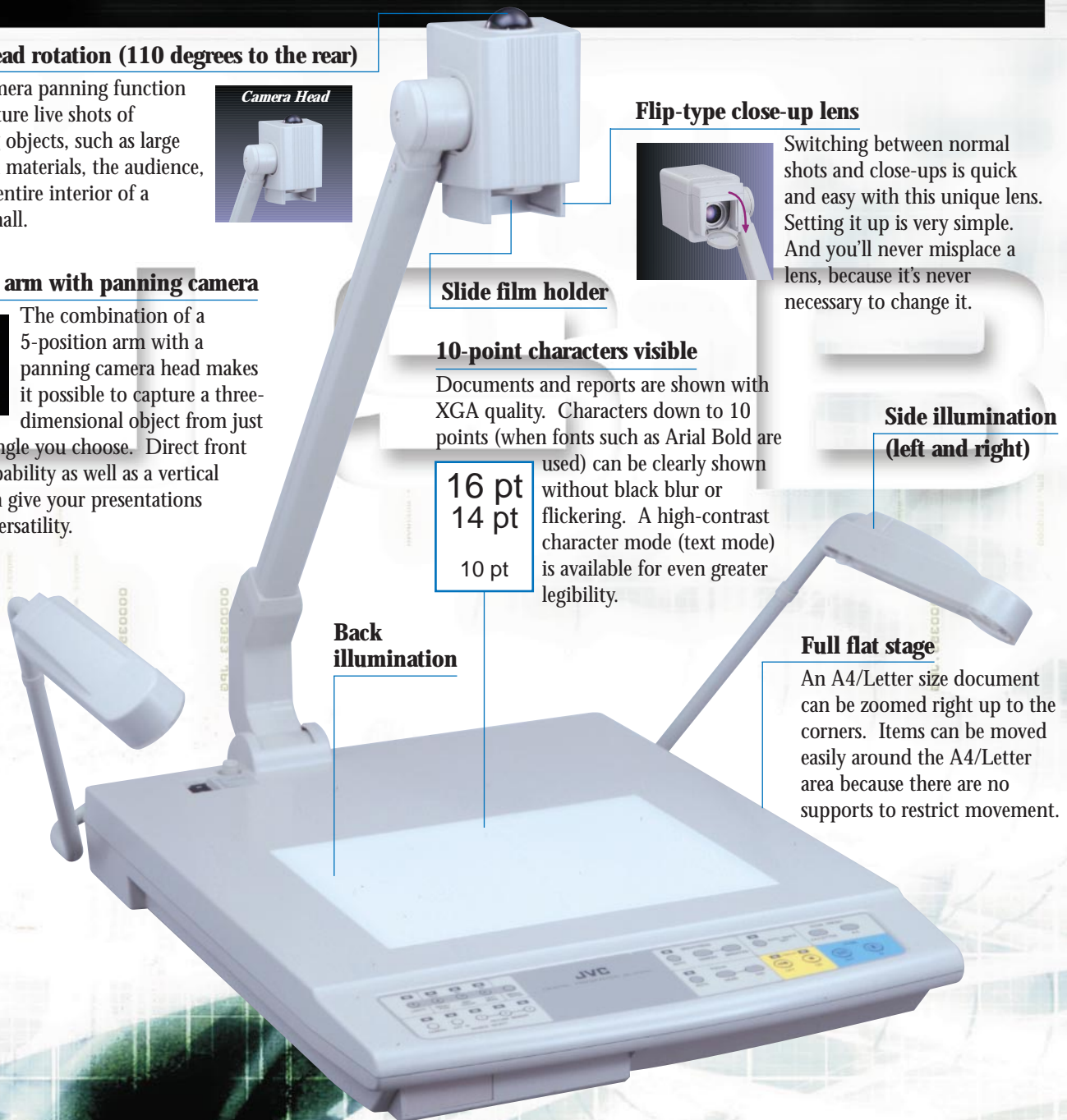
10 pt

Side illumination (left and right)

Back illumination

Full flat stage

An A4/Letter size document can be zoomed right up to the corners. Items can be moved easily around the A4/Letter area because there are no supports to restrict movement.



USB interface



The USB interface allows you to transfer images to a PC for processing.

Processed images can then be projected on a screen or displayed on a monitor via the AV-P950, allowing you to easily customize your presentation for different situations. This interface also enables you to control the presenter from a PC.

Preview mode



By using the preview mode, you can adjust zoom and focus in the preview mode before outputting the picture to the main presentation screen. This ensures a smoother, more professional presentation because it eliminates any distractions that could be caused by changing presentation items or making screen adjustments. As soon as you're ready, press the FREEZE ON button to display the next image.

As soon as you're ready, press the FREEZE ON button to display the next image.

High-resolution XGA pictures

XGA-equivalent high-resolution images (1,024 x 768 pixels) are ideal for use with a high-resolution XGA projector or monitor. For more flexibility, the AV-P950 can also be connected to a projector or a monitor with SVGA or VGA resolution.

3-picture memory

Up to three images can be stored in memory for later recall. During a presentation, you can switch between camera picture and memory picture as required. Memory pictures are useful for comparison and can be transferred to a PC for processing.

Up to 20x zoom (5x optical zoom and 4x digital zoom)

When combined with the 5x power zoom, the 4x digital zoom provides magnification up to 20x, making it possible to present a wide range of different-sized material — from 35-mm (1-7/16") slide film to B4-size (257 x 364 mm/10-1/8" x 14-3/8") documents. For example, microscopic objects such as the veins of a leaf or the intricate details in a woven fabric or painting can be displayed with great precision.

Auto focus

Pressing the AUTO button automatically focuses on the subject for smooth, quick transitions.

Wireless remote control

The remote control gives you complete control (zoom, focus, brightness, EXT. IN, freeze, picture memory, auto white) over the presenter, allowing you to move freely around a room while making your presentation.



Zoom presets (A4/Letter/A5 size)

Camera picture size can be set to A4/Letter or A5 according to your purpose with one touch of a button.

Book holder (optional)

When you need to capture the image of a large, heavy object such as a page in an encyclopedia, this book holder ensures the object remains stable and does not fall.

Control panel



Direct access control keys make it easy for beginners to use this presenter. Commonly used functions are arranged on the right, while advanced functions for more experienced users are arranged on the left. Color coding also enhances operability.

On-screen menu display

Picture characteristics such as a red/blue level, digital zoom magnification, JPEG picture compression rate, etc. can be set with the on-screen menu displayed by the projector or monitor.

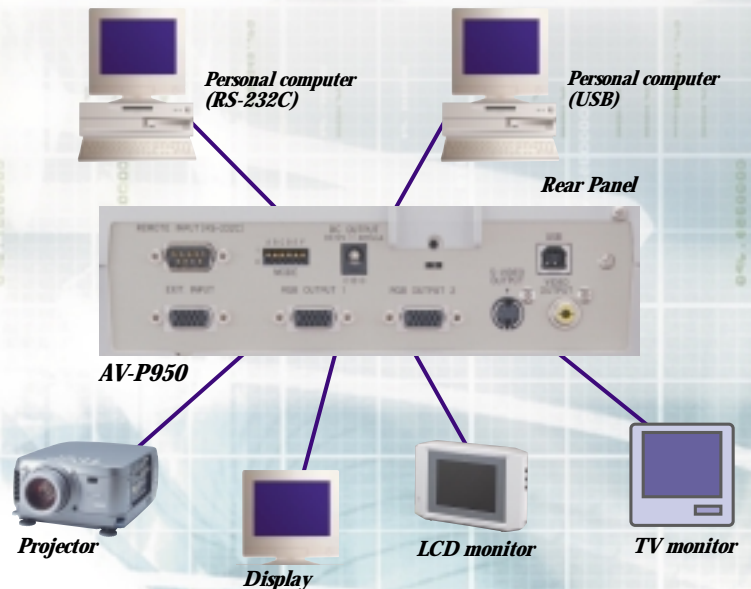
System Configuration



Inspection



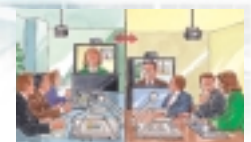
Product presentation



Education



Conference



Teleconferencing

Specifications

General

Power requirements

AC 220 V to 240 V, 50/60 Hz (AV-P950E)
AC 100 V to 120 V, 50/60 Hz (AV-P950U)

Power consumption

0.36 A (AV-P950E)
40 W (AV-P950U)

Dimensions (WHD)

775 x 700 x 670 mm (open)
(30-9/16" x 27-7/16" x 26-7/16")
(Width: when the illuminations are moved to the outside maximum)
462 x 230 x 765 mm (closed)
(18-1/4" x 9-1/16" x 30-1/8")

Weight

9 kg (19.8 lbs.)

Optical

Lens F2.9 to F3.1, f = 6.4 mm to 32 mm

Shooting area

Max.: 350 x 260 mm
(13-13/16" x 10-1/4") (B4 size (257 x 364 mm/
10-1/8" x 14-3/8") horizontal)
Min.: 80 x 60 mm (2-3/16" x 2-3/8")
(with digital zoom OFF)

Focal distance adjustable range

From the stage surface to a height of 100 mm
(3-15/16") (camera directed downward,
with close-up lens)
∞ to 0.8 m (2.6 ft) (the camera directed to the
side, without close-up lens)

Zoom Motorized x5 (optical), x4 (digital)

Focus Auto/manual

Brightness Auto/manual

Lighting

Side illumination

2 x 6 W (fluorescent)

Back illumination panel

2 x 6 W (fluorescent, area size V205 x H275 mm
(8-1/8" x 10-7/8"))

Camera head

Image pickup device 1/3" CCD

Total number of pixels

850,000 (H1077 x V788)

Scanning system Progressive

Color filter RGB

Output operation mode

Progressive mode, 3-mode switching

H: 48.4 kHz/V: 60.0 Hz

800 dots x 600 dots

H: 37.9 kHz/V: 60.3 Hz

640 dots x 480 dots

H: 31.5 kHz/V: 59.9 Hz

Interlace mode:

PAL: 15.75 kHz/50 Hz (AV-P950E)

NTSC: 15.734 kHz/59.95 Hz (AV-P950U)

Frame rate 15 fps

White balance Auto/manual

Negative/positive switching Available

Color/BW switching Available

Picture memory Up to 3 pictures

Input select Camera/External input

Text mode Available

Input/output

Input connector

External input (D-sub 15-pin, female) x 1

Output connectors

RGB

(D-sub 15-pin, 0.7 V, 75 ohms, female) x 2

S-video

(Mini DIN 4-pin, 1 V (p-p), 75 ohms) x 1

(NTSC/PAL)

Video

(RCA pin, 1 V (p-p), 75 ohms) x 1 (NTSC/PAL)

USB (series B) x 1

DC 12 V (DC jack) x 1

Control connector

Remote input

(D-sub 9-pin, RS-232C, male) x 1

Environmental conditions

Operating temperature 5°C to 40°C (41°F to 104°F)

Humidity 30% to 85%

Accessories

Provided accessories

Instruction manual x 2, video cable (5 m) x 1,
power cord x 1, wireless remote control unit x 1,
battery (AA) x 2, floppy disk (application
software) x 3

Options

LCD monitor (TA-AV-Z7U), book holder

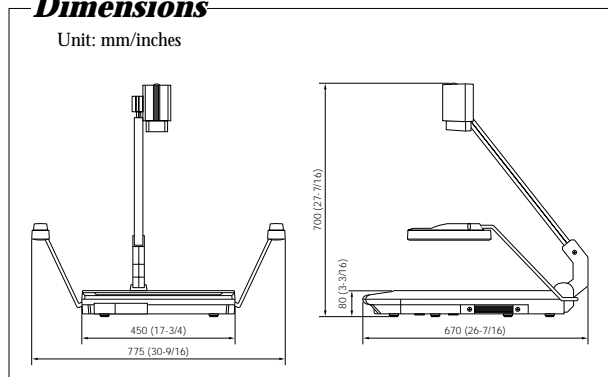
Option



TA-AV-Z7U
4-inch LCD monitor

Dimensions

Unit: mm/inches



Presenters

AV-P1000 digital presenter

- High-resolution 1280 x 960 pixels equivalent to SXGA images without degradation or flicker
- RGB (SXGA to VGA) or NTSC/PAL output for easy integration into any system
- 3-picture memory
- Simultaneous split screen display of picture from memory together with live image



AV-P750 visual presenter

- Continuous 12x power zoom to enlarge or reduce documentation, from 35 mm (1-7/16") slide film to B4 size (257 x 364 mm/10-1/8" x 14-3/8") documents
- Auto focus
- 5-position camera arm and camera head rotation



AV-P720 visual presenter

- LCS (Light Control Screen) eliminates uneven light distribution and suppresses excess light
- High picture quality with 1/4" CCD
- On-screen menu

Design and specifications subject to change without notice.
Copyright © 2001, Victor Company of Japan, Limited (JVC). All Rights Reserved.

JVC
VICTOR COMPANY OF JAPAN, LIMITED

DISTRIBUTED BY



■ The Hachioji Plant of Victor Company of Japan, Ltd., has received ISO14001 and ISO9001 Certifications under the global standard for environmental manag